

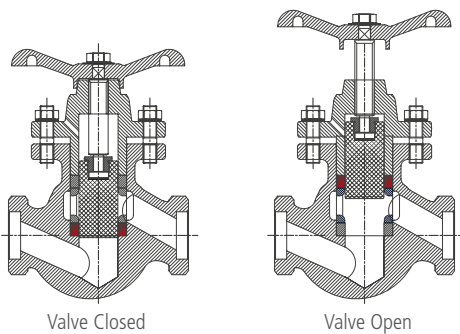
## Piston Valves

Sizes ½" to 8", Class 150, 300 and 800

L&T Valves offers glandless Piston Valves for reliable long-term performance in steam, condensate as well as process lines.

The versatile valve can be used for both isolation and throttling applications, and is available with flanged, socket-weld and screwed ends.

Sealing is effected by the linear motion of the piston, between upper and lower valve rings - when the piston engages with the lower ring, the valve closes, and when the piston aligns with the upper ring, the valve opens. Further, the piston in conjunction with the upper ring prevents leakage to atmosphere.



### Features

- Large effective sealing area - Reliable shutoff (ANSI Leakage Class VI)
- Glandless design - No leakage to atmosphere
- Reinforced sealing rings and Belleville washers - Compensates for thermal expansions, Reliability
- Sealing not affected by presence of dirt or any other impurities in the media
- Online Serviceable - Sealing rings can be replaced without removing the valve from line
- Long service life
- Lower cost of ownership

### Compliance Standards

- Valve Design: ASME B16.34, EN12516-2
- Wall Thickness: ANSI B16.34
- Face-to-Face: ASME B16.10, ASME B16.11
- Flange Dimensions: ANSI B16.5
- Pressure Testing: API 598

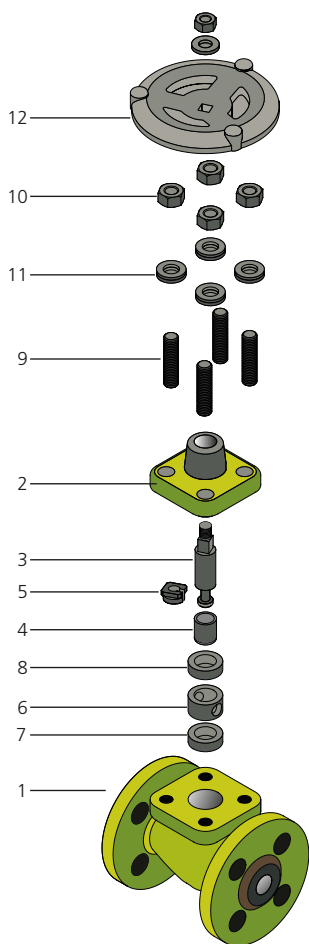
### Option

Balanced Piston Valves - To address high torque requirement due high inlet pressure, in sizes above DN65

### Range

Materials/ Class (End Connections)	Sizes (DN/ NPS)									
	15	20	25	40	50	65	80	100	150	200
	½	¾	1	1½	2	2½	3	4	6	8
Cast Steel/ Class 150 (Flanged End)	•	•	•	•	•	•	•	•	•	•
Cast Steel/ Class 300 (Flanged End)	•	•	•	•	•	•	•	•		
Cast Steel/ Class 300 (Screwed/ Socket-weld)	•	•	•							
Forged Steel/ Class 800 (Screwed/ Socket-weld)	•	•	•	•						

Forged #800: DN15, 20, 25 – Angle pattern; DN25, 40 – Straight pattern. Weld-on flanged connections available.  
 Socket weld ends – as per ASME B16.11 Integral flanged ends - as per ASME B16.5 (#150, #300)



## Materials of Construction

No.	Part	Cast Steel - #150 & #300	Forged Steel - #800
1	Body	A216 Gr. WCB	A105
2	Bonnet	A216 Gr. WCB	A105
3	Spindle	AISI 410	
4	Piston	AISI 304	
5	Split-Nut	Brass	
6	Lantern Bush	AISI 304/ A743 CA15	
7	Lower Valve Ring	Grafoil® with SS Reinforcement	
8	Upper Valve Ring	Grafoil® with SS Reinforcement	
9	Stud	A193 Gr. B7	
10	Nut	A194 Gr. 2H	
11	Belleville Washers	50 Cr V4	
12	Hand Wheel	Cast Iron	

### Industries

- Power Plants
- Refinery & Petrochemical Industry
- Chemical & Pharmaceutical Industry
- Fertilizer Industry
- Solvent Extraction Industry
- Paper & Pulp Industry
- Edible Oil Industry
- Dairy Industry
- Distilleries
- Sugar Plants

### Applications

- Steam Header
- Steam Manifolds
- Condensate Manifolds
- Thermic Fluid Lines
- Pressure Reducing Stations
- Desuperheating Stations
- Steam Trap Isolation Valves
- Process Steam & Utilities
- Chemicals
- Fatty Acids



#### L&T Valves Limited

Mount - Poonamallee Road, Manapakkam, Chennai 600 089, INDIA

Tel. : +91 44 2252 9855 Email: ContactUs@Lntvalves.com www.Lntvalves.com CIN Number: U74999MH1961PLC012188

Registered Office: L&T House, N. M. Marg, Ballard Estate, Mumbai - 400 001, INDIA

Publication Number: LTVF002/1018

As we continuously endeavour to improve our products, the data given herein is subject to change.

Please refer www.Lntvalves.com for the latest publication.

